

2

CABINETS, ACCESSORIES, & COVERS



QUALITY

noun

\`kwä-lə-tē\

A higher standard in parts, products, and services as measured against other things of a similar kind.

FIRE EXTINGUISHER CABINETS AND STANDS

Brooks' MARK SERIES FIRE EXTINGUISHER

CABINETS better fit today's extinguisher sizes and feature injection-molded ABS plastic construction, making them dent, rust, and corrosion proof. They come with a brass lock, plastic cover, and screen-printed pictograms on the sides. There is no glass to break or breaker bar to lose, and since they are light and nest easily together, freight charges are a fraction of what metal cabinets can cost. Priced per cabinet.

NOTE: See sizing chart below for dimensions.

MARK I JR. CABINET (M1J Series). Maximum extinguisher height: 16³/₄".

P/N	DESCRIPTION	LOCATION
MJM	Red Tub/Red Cover	Indoor/Outdoor
MJM6	Red Tubs/Red Covers, Pkg/6	Indoor/Outdoor
MJRC	Red Tub/Clear Cover	Indoor
MJRC6	Red Tubs/Clear Covers, Pkg/6	Indoor
MJWR	White Tub/Red Cover	Indoor
MJWR6	White Tubs/Red Covers, Pkg/6	Indoor
MJWC	White Tub/Clear Cover	Indoor
MJWC6	White Tubs/Clear Covers, Pkg/6	Indoor

MARK II JR. CABINET (M2J Series). Maximum extinguisher height: 20".

P/N	DESCRIPTION	LOCATION
M2JM	Red Tub/Red Cover	Indoor/Outdoor
M2JM6	Red Tubs/Red Covers, Pkg/6	Indoor/Outdoor
M2JRC	Red Tub/Clear Cover	Indoor
M2JRC6	Red Tubs/Clear Covers, Pkg/6	Indoor
M2JWR	White Tub/Red Cover	Indoor
M2JWR6	White Tubs/Red Covers, Pkg/6	Indoor
M2JWC	White Tub/Clear Cover	Indoor
M2JWC6	White Tubs/Clear Covers, Pkg/6	Indoor

MARK II CABINET (M2 Series). Maximum extinguisher height: 24".

P/N	DESCRIPTION	LOCATION
M2M	Red Tub/Red Cover	Indoor/Outdoor
M2M6	Red Tubs/Red Covers, Pkg/6	Indoor/Outdoor
M2RC	Red Tub/Clear Cover	Indoor
M2RC6	Red Tubs/Clear Covers, Pkg/6	Indoor
M2WR	White Tub/Red Cover	Indoor
M2WR6	White Tubs/Red Covers, Pkg/6	Indoor
M2WC	White Tub/Clear Cover	Indoor
M2WC6	White Tubs/Clear Covers, Pkg/6	Indoor

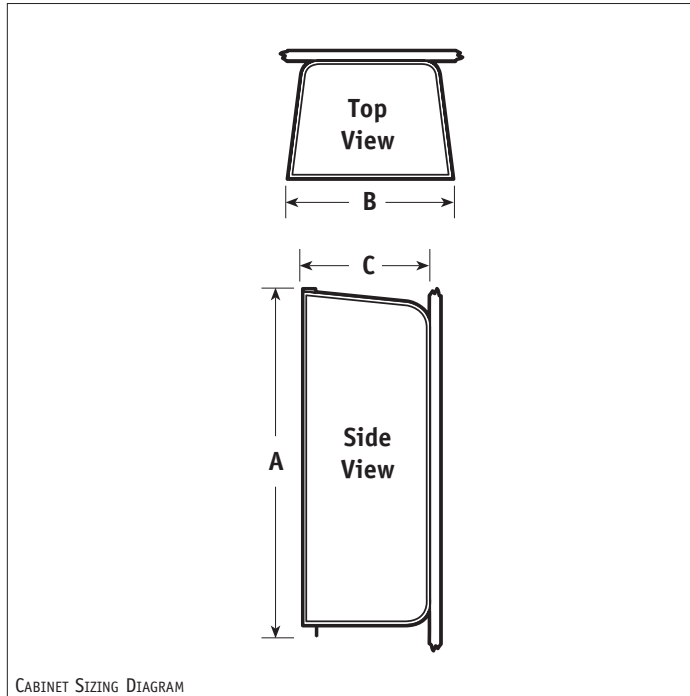
NOTE: The MJM, M2JM, and M2M Series cabinets are the only ones recommended for outdoor use.

MARK SERIES CABINET and COVER dimensions (see Cabinet Sizing Diagram).

CABINET	A HEIGHT	B WIDTH	C DEPTH	MAX EXTG HEIGHT
M1J SERIES	18 ¹ / ₄ "	8 ¹ / ₂ "	5 ³ / ₈ "	16 ³ / ₄ "
M2J SERIES	21 ³ / ₄ "	9 ⁵ / ₈ "	6 ³ / ₈ "	20"
M2 SERIES	25 ³ / ₄ "	9 ⁵ / ₈ "	6 ³ / ₈ "	24"

COVER	A HEIGHT	B WIDTH
M1J SERIES	19 ¹ / ₄ "	8 ⁷ / ₈ "
M2J SERIES	23"	10 ³ / ₁₆ "
M2 SERIES	27"	10 ³ / ₁₆ "

NOTE: The "A Height" dimension is from the top of the cabinet to below where the padlock is attached, as shown in the diagram to the left.



CABINET SIZING DIAGRAM

In Use photos may show items not included or available separately.

The All Everything Indoor/Outdoor Cabinet

FireTech™ FIRE EXTINGUISHER CABINETS work well indoors or out, thanks to their high-impact polystyrene construction and ultraviolet inhibitors that keep the color from fading, regardless of the weather or environment. They nest together, and their light weight reduces shipping costs over metal cabinets. Each cabinet includes an injection-molded frame, a scored break front, plastic cam lock with key, break-front striker, and a screen printed pictogram on the side.

All **FireTech** parts are interchangeable with **CATO Chief Cabinets**.

P/N	DESCRIPTION
FT5PR	Red Cabinet
FT5PR6	Red Cabinets, Pkg/6
FT5PW	White Cabinet
FT5PW6	White Cabinets, Pkg/6
FT10PR	Red Cabinet
FT10PR6	Red Cabinets, Pkg/6
FT10PW	White Cabinet
FT10PW6	White Cabinets, Pkg/6
FT20PR	Red Cabinet
FT20PW	White Cabinet

FireTech™ FIRE EXTINGUISHER CABINET dimensions.

CABINET	HEIGHT	WIDTH	DEPTH	MAX EXTG HEIGHT
FT5_	19"	8"	6 ³ / ₈ "	16 ³ / ₄ "
FT10_	23"	9"	7"	20 ³ / ₈ "
FT20_	28"	11"	9"	25 ³ / ₄ "



REPLACEMENT COVERS for **Brooks'** extinguisher cabinets. See sizing chart on page 30 for dimensions. Pkg/6 (priced per cover). **NOTE:** Individual covers are available—call your Account Manager for pricing.

P/N	DESCRIPTION
MJCR6	M1J Series Red Covers
MJC6	M1J Series Clear Covers
M1CR6	M1 Series Red Covers
M1C6	M1 Series Clear Covers
M2JCR6	M2J Series Red Covers
M2JC6	M2J Series Clear Covers
M2CR6	M2 Series Red Covers
M2C6	M2 Series Clear Covers



REPLACEMENT COVERS

FireTech™ FIRE EXTINGUISHER CABINET ACCESSORIES.

P/N	DESCRIPTION
FT5RF	FT5 Red Frame & Lock
FT5WF	FT5 White Frame & Lock
FT10RF	FT10 Red Frame & Lock
FT10WF	FT10 White Frame & Lock
FT20RF	FT20 Red Frame & Lock
FT20WF	FT20 White Frame & Lock
FT55	FT5 Replacement Panel
FT510	FT10 Replacement Panel
FT520	FT20 Replacement Panel
FTRCL	Cylinder Lock, Red
FTWCL	Cylinder Lock, White
FT100R	Breakfront Striker Assy (Hammer Style), Red
FT100W	Breakfront Striker Assy (Hammer Style), White



FT10WF, FT5RF, FT55



FT100R



FES1 In Use

Make moving fire extinguishers from jobsite to jobsite easy with this **PORTABLE EXTINGUISHER STAND** from **FireTech™**. It holds a 5, 10, or 20 lb dry chemical extinguisher and has a molded-in handle for ease of movement, and a large 2½" fill hole for the addition of sand (up to 35 lb). Constructed of red powder-coated steel, it is pre-drilled for a fire extinguisher wall hook.

NOTE: Sand not included. 48"H x 16"W x 16"D.

P/N	DESCRIPTION
FES1	Portable Extinguisher Stand



FT101 In Use

The **FireTech™ ABS EXTINGUISHER CABINET** protects extinguishers or life safety equipment from the harshest of environments. The clear door allows easy inspection, while the door-swing preference (left or right) and gasket provides long-term weather protection. A quick-release catch ensures rapid access to what is inside. 30"H x 11"W x 8¼"D. Red tub, clear door.

P/N	DESCRIPTION
FT101	ABS Extinguisher Cabinet
FT101HHCK	Replacement Parts Kit – 2 Hinges, Latch, & Cover For FT101 Cabinet



FGC26

FGC35R

A major step up in fire extinguisher storage and protection, **FireTech™ FIBERGLASS CABINETS** are designed to ward off salt air, chemicals, moisture, dust, insects, temperature extremes, and other harmful elements. These durably constructed cabinets feature a door-sealing method that shuts out most anything and an easy-view window and corrosion-resistant handle for extra convenience. All cabinets come standard with full-length stainless steel hinges, rivets, and latches for added peace of mind. Comes in UV-resistant, high-visibility red.

P/N	HEIGHT	WIDTH	DEPTH	MAX EXTG HEIGHT
FGC10	26⅛"	13¾"	9¾"	23½"
FGC26	27⅛"	15¾"	10½"	24½"
FGC35R	36⅛"	19⅝"	14"	33"

P/N	DESCRIPTION
FGC10	Small Fiberglass Cabinet
FGC26	Medium Fiberglass Cabinet
FGC35R	Large Fiberglass Cabinet
FGCLATCH	Replacement Latch
FGCRG	Replacement Gasket



FES2 In Use

The **FireTech™ FIBERGLASS CABINET STAND** is designed for use with the **FGC26 Fiberglass Cabinet** (not included). Its red finish perfectly matches this cabinet, and it comes with four pre-drilled holes for permanent attachment to docks or other locations, or sand can be added for temporary placement. Mounting holes and hardware for attaching the cabinet to the stand are standard. 8¼" x 11¾" top surface. 27½"H x 15½"W x 15½"D. Red.

P/N	DESCRIPTION
FES2	Fiberglass Cabinet Stand For FGC26 Cabinet

PORTABLE EXTINGUISHER CABINETS & STANDS

solve the problem of locating fire extinguishers on jobsites, project areas, and in remote locations. Constructed from rust/fade-proof materials that meet Cal and OSHA requirements, these cabinet/stand combos come with handles for convenient carry. Other standard features include scored break fronts, cylinder locks, heavy-duty rubber stand bases, informational decals, and stackable storage/transport. 43"H x 20"W x 20"D. White/Red.

P/N	DESCRIPTION
FGSWC10	Portable Cabinet & Stand, 10 lb
FGSWC20	Portable Cabinet & Stand, 20 lb



FGSWC10 In Use

The stackable **FireTech™ FES3 PORTABLE FIRE EXTINGUISHER STAND** accommodates larger extinguishers. Its 8" x 8" recessed cup holds 5 lb–30 lb and 2.5 gal water stored pressure extinguishers. Made of UV-stabilized HDPE plastic, it is ideal for indoor/outdoor use. Plus its 20½" x 20½" base offers superior stabilization. Meets OSHA construction and temporary extinguisher location requirements too. 32"H x 20½"W x 20½"D. Red.

NOTE: Includes two BL135W cabinet signs (for optional use).

P/N	DESCRIPTION
FES3	Extinguisher Stand



FES3 In Use



BL135W

The **Original Firemate** is a stackable **PORTABLE FIRE EXTINGUISHER STAND** that is made of tough HDPE plastic. The stand holds 5, 10, or 20 lb extinguishers, and its wide base resists tipping. Meets OSHA requirements. 8"H x 7½"W x 6"D recess for extinguisher. 34"H x 21"W x 21"D. Red.

P/N	DESCRIPTION
FMRGC	Portable Extinguisher Stand



FMRGC In Use

FireTech's UV stabilized **MOLDED HDPE EXTINGUISHER CABINETS** provide tough wall-mount storage and protection with windows for easy inspection. They are also fitted with weather/insect/dust-resistant doors. Internal easy-release straps hold extinguishers in place too. Black/Red.

CABINET	HEIGHT	WIDTH	DEPTH	MAX EXTG HEIGHT
RMC26	27½"	11 ¹³ / ₁₆ "	9 ²⁹ / ₃₂ "	26"
RMC26W	28 ¹ / ₈ "	21 ¹ / ₄ "	10 ⁵ / ₈ "	26"
RMC31	32 ⁵ / ₈ "	12 ³ / ₁₆ "	10 ⁵ / ₁₆ "	31"

P/N	DESCRIPTION
RMC26	Medium Molded HDPE Extinguisher Cabinet
RMC26W	Medium-Wide Molded HDPE Extinguisher Cabinet
RMC31	Tall Molded HDPE Extinguisher Cabinet



RMC31



BEA003, BEA004, BEA005

FT916 In Use

Made of 20 ga galvanized steel, **FireTech™** surface-mount **METAL FIRE EXTINGUISHER CABINETS** are rust resistant and come with white powder-coat finishes, keyed-alike cylinder locks, and scored polystyrene break fronts. Break-front strikers sold separately. Ideal for interior or exterior use.

P/N	DESCRIPTION	H X W X D
FT916	Metal Cabinet	19 ¹³ / ₁₆ " x 8 ¹ / ₂ " x 6 ¹ / ₄ "
FT926	Metal Cabinet	25 ³ / ₄ " x 9 ¹ / ₂ " x 6 ¹ / ₄ "
FT936	Metal Cabinet	29 ³ / ₄ " x 10 ¹ / ₂ " x 8 ¹ / ₄ "
BEA003	Replacement Top Panel w/ Lock For FT916	
BEA004	Replacement Top Panel w/ Lock For FT926	
BEA005	Replacement Top Panel w/ Lock For FT936	



BEA003, BEA004, BEA005

BE916 In Use

J.L. Industries surface-mount **Classic Series METAL FIRE EXTINGUISHER CABINETS** are made of 20 ga galvanized steel with a bright-white finish, keyed-alike cylinder lock, and breakable polystyrene front. Break-front strikers sold separately.

P/N	DESCRIPTION	H X W X D
BE916	Cabinets, Pkg/2	19 ¹³ / ₁₆ " x 8 ¹ / ₂ " x 6 ¹ / ₄ "
BE926	Cabinets, Pkg/2	25 ³ / ₄ " x 9 ¹ / ₂ " x 6 ¹ / ₄ "
BE936	Cabinets, Pkg/2	29 ³ / ₄ " x 10 ¹ / ₂ " x 8 ¹ / ₄ "
BEA003	Replacement Top Panel w/ Lock For BE916	
BEA004	Replacement Top Panel w/ Lock For BE926	
BEA005	Replacement Top Panel w/ Lock For BE936	

J.L. Industries Decorline FIRE EXTINGUISHER CABINETS are constructed from cold-rolled steel with white baked-on finishes. They are equipped with 2" projecting trim to hide wall cutouts and sliding acrylic break fronts for easy access. Break-front strikers and lock sold separately. Pkg/2.

P/N	TRIM	TUB ID			FRAME OD		WALL OPENING		
		H	W	D	H	W	H	W	D
818TW2	2 ¹ / ₂ "	18"	8 ¹ / ₈ "	5 ¹ / ₂ "	21 ¹ / ₄ "	11 ¹ / ₄ "	19"	9"	4"
924TW2	2 ¹ / ₂ "	24"	9 ¹ / ₈ "	5 ¹ / ₂ "	27"	12 ¹ / ₈ "	25"	10"	4"

P/N	DESCRIPTION
818TW2	Cabinets
924TW2	Cabinets



924TW2

Surface-mount **Economyline FIRE EXTINGUISHER CABINETS**, from **J.L. Industries**, are constructed from cold-rolled steel with hammertone gray or white baked-on finishes. Cabinets come equipped with sliding acrylic break fronts. Break-front strikers and locks sold separately. Pkg/2.

P/N	DESCRIPTION	H X W X D (INTERIOR)
818G2	Gray Cabinets	18" x 8 ¹ / ₈ " x 5 ¹ / ₂ "
818W2	White Cabinets	18" x 8 ¹ / ₈ " x 5 ¹ / ₂ "
924G2	Gray Cabinets	24" x 9 ¹ / ₈ " x 5 ¹ / ₂ "
924W2	White Cabinets	24" x 9 ¹ / ₈ " x 5 ¹ / ₂ "
1028G2BX	Gray Cabinets	28" x 10 ¹ / ₈ " x 8 ¹ / ₄ "
1028W2BX	White Cabinets	28" x 10 ¹ / ₈ " x 8 ¹ / ₄ "



818G2, 818W2, 924G2, 924W2, 1028G2BX, 1028W2BX

The **ACADEMY**, **AMBASSADOR**, and **COSMOPOLITAN SERIES CABINETS**, manufactured by **J.L. Industries**, are some of the finest cabinets available. They are made of aluminum with a clear anodized finish (**Academy**) or steel with electrostatic white epoxy primer finish (**Ambassador**) or all stainless steel (**Cosmopolitan**). All cabinets include a continuous hinge door and acrylic front with squared edge construction. (The 3" trim model has rolled edge construction). Three different acrylic door styles are stocked: **Full Acrylic**, **Full Acrylic with Saf-T-Lok**, and **Contemporary V. Full Acrylic** and **Contemporary V** models are equipped with zinc-plated pull handles and roller catches, while the **Full Acrylic with Saf-T-Lok** models use pull handles with keyed-alike cylinder locks and flexible cams.

NOTE: Remember to add the wall material thickness to your wall depth when determining the cabinet you need. Not responsible for acrylic breakage during shipping.

MODELS	TRIM	TUB ID			FRAME OD		WALL OPENING		
		A	B	C	E	F	H	W	D
1013	Surf	27 ³ / ₁₆ "	13 ¹ / ₁₆ "	6 ¹ / ₂ "	27 ³ / ₈ "	13 ⁷ / ₈ "	-	-	-
1015	Flat	24"	10 ¹ / ₂ "	6"	27 ³ / ₈ "	13 ⁷ / ₈ "	25"	11 ¹ / ₂ "	5 ⁷ / ₈ "
1017	3"	24"	10 ¹ / ₂ "	6"	27 ³ / ₈ "	13 ⁷ / ₈ "	25"	11 ¹ / ₂ "	3 ¹ / ₈ "
1017FX	3"	24"	10 ¹ / ₂ "	6"	27 ³ / ₈ "	13 ⁷ / ₈ "	26 ⁵ / ₁₆ "	12 ¹³ / ₁₆ "	4"
1815	Flat	24"	10 ¹ / ₂ "	5 ¹ / ₂ "	27 ³ / ₈ "	13 ⁷ / ₈ "	25"	11 ¹ / ₂ "	5 ³ / ₈ "
1816	1 ¹ / ₂ "	24"	10 ¹ / ₂ "	5 ¹ / ₂ "	27 ³ / ₈ "	13 ⁷ / ₈ "	25"	11 ¹ / ₂ "	4 ¹ / ₈ "
1817	3"	24"	10 ¹ / ₂ "	5 ¹ / ₂ "	27 ³ / ₈ "	13 ⁷ / ₈ "	25"	11 ¹ / ₂ "	2 ⁵ / ₈ "
2015	Flat	27"	12"	7 ³ / ₄ "	30 ³ / ₈ "	15 ³ / ₈ "	28"	13"	7 ³ / ₈ "
1027	3"	24"	10 ¹ / ₂ "	6"	27 ³ / ₈ "	13 ⁷ / ₈ "	25"	11 ¹ / ₂ "	3 ¹ / ₈ "
1037	3"	24"	10 ¹ / ₂ "	6"	27 ³ / ₈ "	13 ⁷ / ₈ "	25"	11 ¹ / ₂ "	3 ¹ / ₈ "

AMBASSADOR SERIES CABINETS

P/N	DESCRIPTION
1013F10	Cabinet, Acrylic, Surface Mount
1015F10	Cabinet, Acrylic, Flat Trim
1017F10	Cabinet, Acrylic, 3" Trim
1017F10FX	Cabinet, Acrylic, 3" Trim (Fire Rated)
1815F10	Cabinet, Acrylic, Flat Trim
1816F10	Cabinet, Acrylic, 1 ¹ / ₂ " Trim
1817F10	Cabinet, Acrylic, 3" Trim
2015F10	Cabinet, Acrylic, Flat Trim
1017S21	Cabinet, Solid, 3" Trim

P/N	DESCRIPTION
1013G10	Cabinet, Saf-T-Lok, Surface Mount
1015G10	Cabinet, Saf-T-Lok, Flat Trim
1017G10	Cabinet, Saf-T-Lok, 3" Trim
1815G10	Cabinet, Saf-T-Lok, Flat Trim
1816G10	Cabinet, Saf-T-Lok, 1 ¹ / ₂ " Trim
1817G10	Cabinet, Saf-T-Lok, 3" Trim
2015G10	Cabinet, Saf-T-Lok, Flat Trim
JLLC	Saf-T-Lok Cam

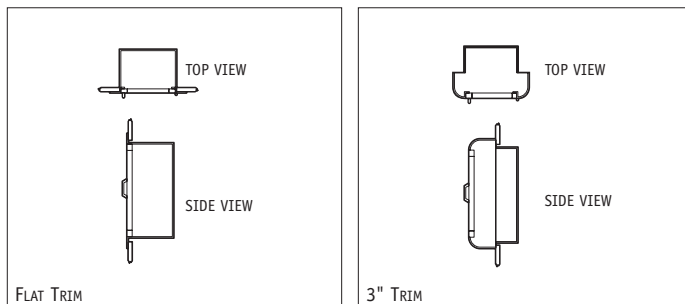
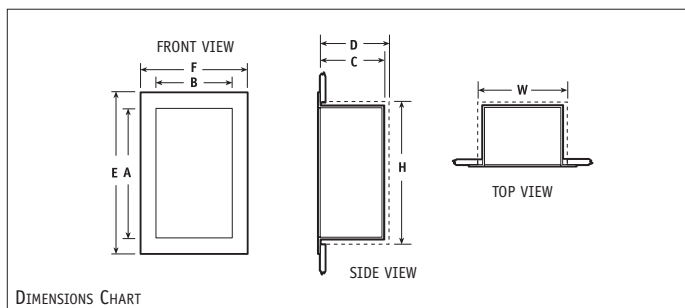
P/N	DESCRIPTION	H X W
JLRA	Replacement Acrylic For 10 & 18 Series Cabinets	22 ³ / ₄ " x 8 ¹ / ₂ "

The **AMBASSADOR SERIES CABINETS** with **Contemporary** vertical duo panel door.

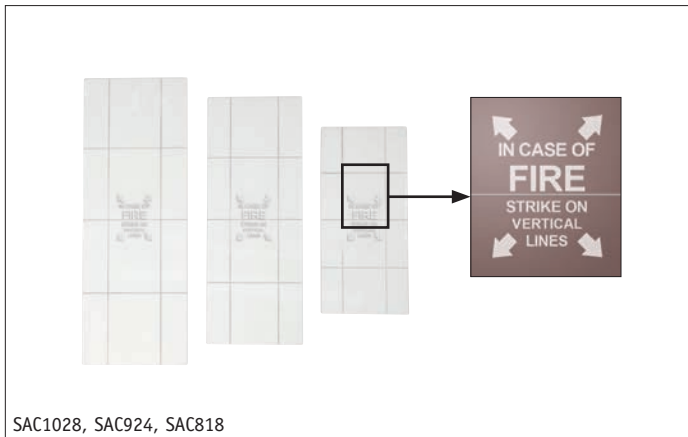
P/N	DESCRIPTION
1013V10	Cabinet, Duo, Surface Mount
1015V10	Cabinet, Duo, Flat Trim
1017V10	Cabinet, Duo, 3" Trim
1815V10	Cabinet, Duo, Flat Trim
1816V10	Cabinet, Duo, 1 ¹ / ₂ " Trim
1817V10	Cabinet, Duo, 3" Trim
2015V10	Cabinet, Duo, Flat Trim

ACADEMY and **COSMOPOLITAN™ SERIES CABINETS** with **Full Acrylic** door.

P/N	DESCRIPTION
1027F10	Cabinet, 3" Trim, Aluminum
1037F10	Cabinet, 3" Trim, Stainless Steel



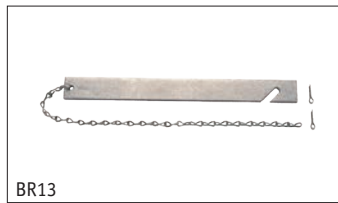
In Use photos may show items not included or available separately.



SAC1028, SAC924, SAC818



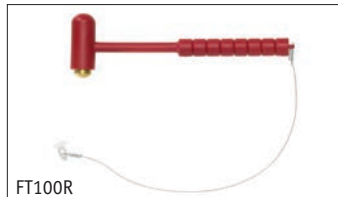
818CW



BR13



BGH6



FT100R



CFAW In Use



STI6200 In Use

CABINET ACCESSORIES

FireTech™, Economyline, Decorline, and Classic Series fire extinguisher cabinet **ACCESSORIES** include replacement cabinet covers, glass clips, and break front tools. The clear replacement covers are grid scored for faster and easier access to fire extinguishers. Injection-molded polystyrene covers are screen printed so respondents know exactly where to strike in case of fire. (See-through scored covers are much easier to break than un-scored versions.)

P/N	DESCRIPTION
SAC818	Scored Polystyrene Break Front, Clear For BE916, FT916, & 818 Series Cabinets, 17 ⁷ / ₈ " x 8"
SAC924	Scored Polystyrene Break Front, Clear For BE926, FT926, & 924 Series Cabinets, 23 ³ / ₈ " x 9"
SAC1028	Scored Polystyrene Break Front, Clear For BE936, FT936, & 1028 Series Cabinets, 27 ⁷ / ₈ " x 10"
818C	8" Glass Clip, Gray Fits Economyline & Decorline Cabinets
818CW	8" Glass Clip, White Fits Economyline & Decorline Cabinets
924C	9" Glass Clip, Gray Fits Economyline & Decorline Cabinets
924CW	9" Glass Clip, White Fits Economyline & Decorline Cabinets
1028C	10" Glass Clip, Gray Fits Economyline & Decorline Cabinets
1028CW	10" Glass Clip, White Fits Economyline & Decorline Cabinets
BR13	Breakfront Striker Assy (Bar Style)
BGH6	Breakfront Striker Assy (Hammer Style)
FT100R	Breakfront Striker Assy (Hammer Style), Red
FT100W	Breakfront Striker Assy (Hammer Style), White

A **Brooks** exclusive, these fire extinguisher **CABINET ALARMS** sound off with a 105 dB (measured at 1') alarm when the extinguisher is removed. They are self-adhesive and install in seconds. Measures 2³/₄"H x 2¹/₄"W x 1"D. Batteries not included.

P/N	DESCRIPTION
CFAW	White Cabinet Alarm
CFAR	Red Cabinet Alarm
→ PRB9VB	9V Alkaline Battery

STI's FIRE EXTINGUISHER THEFT STOPPER helps stop theft, vandalism, and misuse of fire extinguishers. If the protected fire extinguisher is moved or jostled, **Theft Stopper** emits an instantaneous, piercing alarm. A highly visible "STOP, ALARM WILL SOUND" further deters unauthorized handling. The **Theft Stopper** is simple to install and comes with a deactivation cable (for when extinguisher needs servicing). Red.

P/N	DESCRIPTION
STI6200	Theft Stopper

These **FIRE EXTINGUISHER DECALS** are for labeling cabinets and bubble covers, as required by various AHJs. Choice of horizontal or vertical decals with red lettering on clear background.

P/N	DESCRIPTION	H X W
BL253	"Fire Extinguisher" Decal For Cabinet	19" x 2"
BL254	"Fire Extinguisher" Decal For Cabinet	2 1/4" x 7 7/8"
BL255	"Fire Extinguisher" Decal For Small Bubble	13" x 3/8"
BL256	"Fire Extinguisher" Decal For Large Bubble	16 1/2" x 1/2"

Brooks' BUBBLE COVERS are designed for use on metal extinguisher cabinets with full door styles. Both models offer transparency for good extinguisher visibility. Polycarbonate models offer extra strength for added security. Decals sold separately.

P/N	DESCRIPTION	H X W X D
ABUB1	X-Small Acrylic Cover (Larsens)	21 1/2" x 6 3/4" x 4"
ABUB2	Small Acrylic Cover (JL)	22 1/4" x 8 1/2" x 4"
ABUB3	Large Acrylic Cover (JL)	28" x 11 15/16" x 5"
ABUB4	Large Acrylic Cover (Larsens Steel)	28 1/2" x 12 3/8" x 4"
ABUB5	Large Acrylic Cover (Larsens Alum)	29 1/2" x 13 1/4" x 4"
PBUB1	X-Small Poly Cover (Larsens)	21 1/2" x 6 3/4" x 4"
PBUB2	Small Poly Cover (JL)	22 1/4" x 8 1/2" x 4"
PBUB3	Large Poly Cover (JL)	28" x 11 15/16" x 5"
PBUB4	Large Poly Cover (Larsens)	28 1/2" x 12 3/8" x 4"
PBUB5	Large Poly Cover (Larsens)	29 1/2" x 13 1/4" x 4"

The **Brooks BREAKAWAY BRASS PADLOCK** safely secures cabinets and other equipment. Designed to be opened with a key (included) or broken away in an emergency. 7/8" inside shackle.

P/N	DESCRIPTION
SBL66	Breakaway Brass Padlock

Master Lock is a name synonymous with quality padlocks. The keyed-alike **BREAKAWAY STEEL PADLOCK** has a 1 3/4"-wide laminated steel body for superior strength and comes with two keys and a steel shackle for superior cut resistance. A warded locking mechanism helps minimize jamming caused by dirt and grime. Rustproof. 13/16" inside shackle.
NOTE: Locks are keyed alike to #197.

P/N	DESCRIPTION
ML500KA	Breakaway Steel Padlock

The corrosion-resistant **Brooks BRASS PADLOCK** features an all-brass shackle, making it ideal for cabinets and other security requirements where economy and keyed-alike convenience is essential. 3/8" inside shackle.

P/N	DESCRIPTION
M12L	Brass Padlock

NYLON & STEEL SHACKLED PADLOCKS feature non-conductive polymer bodies and reinforced nylon or steel shackles. Write-on labels and one key are standard too. Locks are keyed differently. 3/4" inside shackle.

P/N	DESCRIPTION
BN15LTF	Padlock w/ Nylon Shackle, Red
TPR15LTF	Padlock w/ Steel Shackle, Red
TPY15LTF	Padlock w/ Steel Shackle, Yellow
TPG15LTF	Padlock w/ Steel Shackle, Green
TPB15LTF	Padlock w/ Steel Shackle, Blue



BL254



BL255 In Use



BL253



ABUB2 In Use



SBL66



ML500KA



M12L



BN15LTF



PPL



MS5100 In Use

This single-use **PLASTIC PADLOCK** must be cut or broken away. $\frac{3}{4}$ " inside shackle. Red.

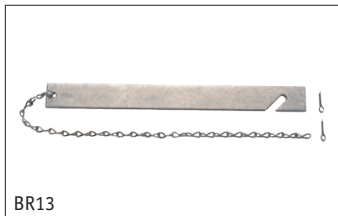
P/N	DESCRIPTION
PPL	Plastic Padlock



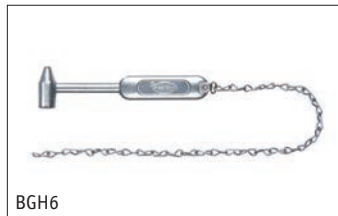
MS5100

ADHESIVE-BACKED MAGNETIC STRIP makes mounting signs, breaker bars, and other metal goods a snap. **MS5100** is designed to withstand temperatures from -15°F to 160°F . Each **Magnetic Strip** comes with a peel-off liner and durable outdoor adhesive for good adherence. $\frac{1}{2}$ " x 100' roll.

P/N	DESCRIPTION
MS5100	Magnetic Strip



BR13



BGH6

BREAK-FRONT STRIKERS are designed to easily break glass or plastic break-front-type cabinet covers.

P/N	DESCRIPTION
BR13	Striker Assy (Bar Style)
BGH6	Striker Assy (Hammer Style)
FT100R	Striker Assy (Hammer Style), Red
FT100W	Striker Assy (Hammer Style), White



FT100R



PTD182



PTD108

3-D RIGID PLASTIC ANGLE SIGNS

P/N	DESCRIPTION	L X H
PTD108	"Fire Extinguisher" 3D Arrow Sign	4" x 12"
PTD109	"Fire Extinguisher" 3D Arrow Sign	4" x 18"
PTD182	"Fire Extinguisher" 3D Arrow Sign	5" x 6"
PTD109B	"Fire Extinguisher" 3D Arrow Sign, Bilingual	9 $\frac{1}{4}$ " x 18"

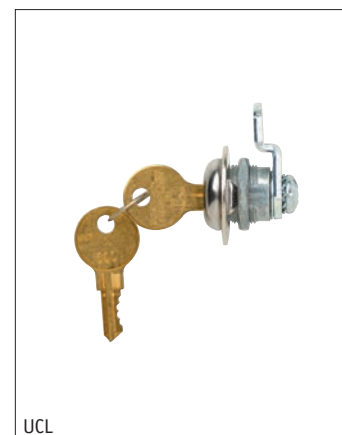
For More Signs, See Section 9.

Brooks' exclusive auxiliary **CABINET KEY SET** will open **Brooks, FireTech™, Cato, JL Industries, Larsen's, Modern Metal, Potter Roemer, Rome Metal, Samson, and Thomas Enterprises** fire extinguisher cabinets. Set includes a durable cross reference tag for easy identification.

P/N	DESCRIPTION
CKS	Cabinet Key Set



CKS



UCL

The **UNIVERSAL CAM LOCK** assembly is for changing out damaged or worn-out locks and is adaptable to most cabinets. Comes with two cam choices and keys.

P/N	DESCRIPTION
UCL	Replacement Cam Lock



JLHP



JLSL

REPLACEMENT HARDWARE works perfectly with **JL Cabinets.**

P/N	DESCRIPTION
JLHP	Hardware Pack For JL Cabinets
JLSL	Safety Cam Lock Assy For JL Cabinets
JLLC	Saf-T-Lok Cam For JL Cabinets
JLPULL	Standard Pull Handle For JL Cabinets



JLLC



JLPULL

KEY BOX

Keep track of keys with this **KEY BOX** from **Brooks**. It is made of durable ABS plastic in a two-piece design that allows for easier access in an emergency. The polystyrene cover snaps right into place. 4 1/4" x 1 1/4". Red.

P/N	DESCRIPTION
BKB	ABS Key Box "Break Glass For Key"
KBRC	Replacement Plastic Cover For BKB



BKB In Use

LOCK BOX

16 ga steel **FIRE DEPARTMENT LOCK BOX** adds up to a lot of security. 6"H x 4"W x 1 1/2"D. Red.

P/N	DESCRIPTION
LBFD	FD Lock Box



LBFD



FEC8



FEC1



FEC1W In Use



FEC4E



FEC4EW In Use



WUC3



FHDC1

FIRE EXTINGUISHER COVERS

HEAVY-DUTY FIRE EXTINGUISHER COVERS are made of acrylic-coated polyester with hook-and-loop closures for the harshest conditions. Based on test results, covers have a minimum five-year lifespan—outdoors, under normal conditions—and fit portable, pressurized, and cartridge-operated extinguishers. Red.

P/N	DESCRIPTION	H X W
FEC10	X-Small Heavy-Duty Cover	18 ¹ / ₂ " x 7"
FEC7	Small Heavy-Duty Cover	20" x 11 ¹ / ₂ "
FEC8	Medium Heavy-Duty Cover	25" x 16 ¹ / ₂ "
FEC9	Large Heavy-Duty Cover	31" x 16 ¹ / ₂ "

Brooks FIRE EXTINGUISHER COVERS are made of reinforced vinyl with hook-and-loop closures or elastic-back and pull bottom tabs/straps for easy, long-lasting use. Red.

P/N	DESCRIPTION	H X W
FEC1	Small Cover w/ Hook-&-Loop Closure	20" x 11 ¹ / ₂ "
FEC1W	Small Cover w/ Hook-&-Loop Closure, Window	20" x 11 ¹ / ₂ "
FEC2	Medium Cover w/ Hook-&-Loop Closure	25" x 16 ¹ / ₂ "
FEC2W	Medium Cover w/ Hook-&-Loop Closure, Window	25" x 16 ¹ / ₂ "
FEC3	Large Cover w/ Hook-&-Loop Closure	31" x 16 ¹ / ₂ "
FEC3W	Large Cover w/ Hook-&-Loop Closure, Window	31" x 16 ¹ / ₂ "

P/N	DESCRIPTION	H X W
FEC4E	X-Small Cover w/ Elastic- Back, Pull Bottom Tab	18 ¹ / ₂ " x 6"
FEC4EW	X-Small Cover w/ Elastic-Back, Pull Bottom Tab, Window	18 ¹ / ₂ " x 6"
FEC5E	Small Cover w/ Elastic-Back, Pull Bottom Strap	22 ¹ / ₂ " x 6 ¹ / ₄ "
FEC5EW	Small Cover w/ Elastic-Back, Pull Bottom Strap, Window	22 ¹ / ₂ " x 6 ¹ / ₄ "
FEC6E	Medium Cover w/ Elastic- Back, Pull Bottom Strap	25 ¹ / ₂ " x 8"
FEC6EW	Medium Cover w/ Elastic- Back, Pull Bottom Strap, Window	25 ¹ / ₂ " x 8"

WHEELED UNIT COVERS feature the same qualities as the **Fire Extinguisher Covers**, in standard or heavy-duty material. Red.

P/N	DESCRIPTION	H X W X D
WUC50	50 lb DC Cover	47 ¹ / ₂ " x 23 ¹ / ₂ " x 16"
WUC3	50 & 75 lb CO ₂ Cover	54" x 16" x 27"
WUC6	50 & 75 lb CO ₂ Heavy-Duty Cover	54" x 16" x 27"
WUC1	150 lb Cover	53" x 42" x 30"
WUC4	150 lb Heavy-Duty Cover	53" x 42" x 30"
WUC2	350 lb Cover	58" x 52" x 38"
WUC5	350 lb Heavy-Duty Cover	58" x 52" x 38"

HEAVY-DUTY FIRE HYDRANT COVER is made of reinforced vinyl with a hook-and-loop closure and comes with reinforced grommets that allow for chain/wire attachment to prevent removal.

P/N	DESCRIPTION	H X W
FHDC1	Heavy-Duty Hydrant Cover	29 ³ / ₄ " x 27"